

# COIL ROOFING NAILS

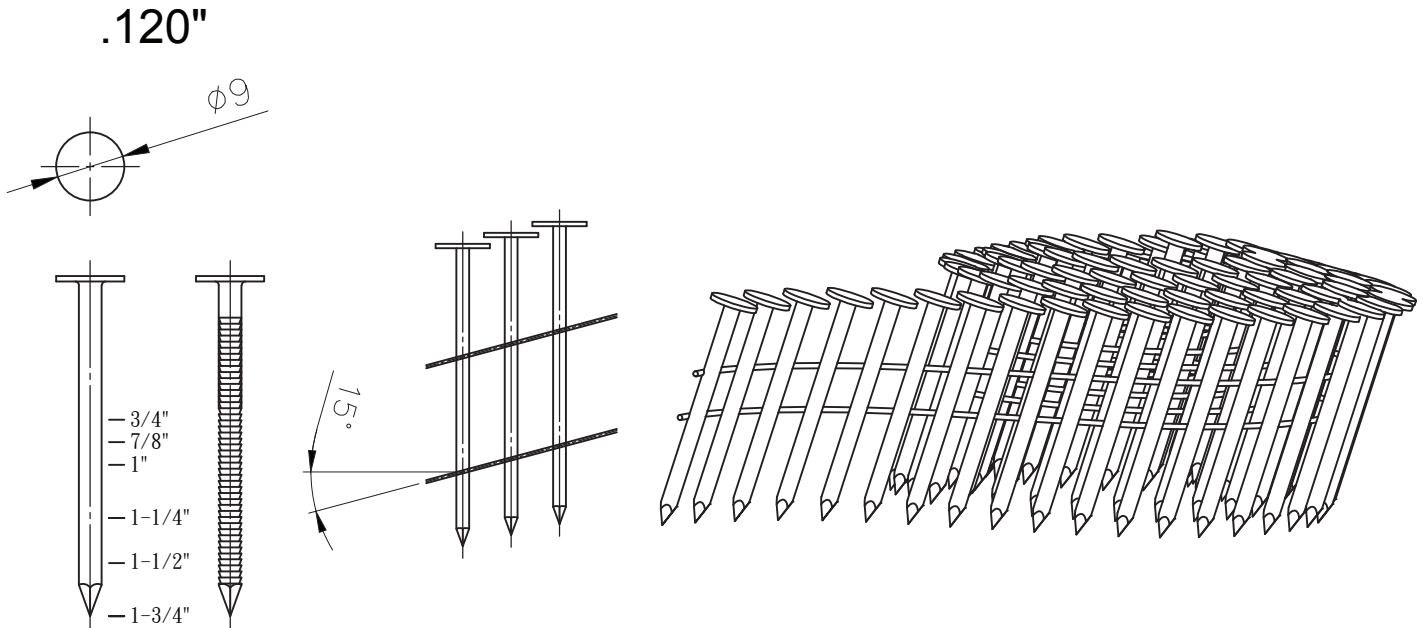
## 15 Degree Electro-Galv., Wire Collated Roofing Nails

Use with the following UNICATCH tools: UNCR45

Interchangeable with: Senco, Bostitch, Hitachi, Atro, Max, Fasco, Porter-Cable & Paslode

| ITEM#                                    | DESC. | LENGTH | SHANK |   | WT/CTN<br>(LBS) | M/CTN | PLT Q'TY<br>(BY CARTONS) | LIST PRICE |         |
|--|-------|--------|-------|---|-----------------|-------|--------------------------|------------|---------|
|  |       |        | TYPE  |   |                 |       |                          | PER/M      | PER/CTN |
| <b>Shank Diameter - .120" Galvanized</b> |       |        |       |   |                 |       |                          |            |         |
| 80020                                    | RN19  | 3/4"   | -     | - | 21              | 7.2   | 64                       | \$5.56     | \$40.00 |
| 80021                                    | RN22  | 7/8"   | -     | - | 23              | 7.2   | 64                       | \$5.83     | \$42.00 |
| 80022                                    | RN25  | 1"     | -     | - | 26              | 7.2   | 56                       | \$6.94     | \$50.00 |
| 80023                                    | RN32  | 1-1/4" | -     | - | 33              | 7.2   | 48                       | \$7.22     | \$52.00 |
| 80024                                    | RN38  | 1-1/2" | -     | - | 38              | 7.2   | 40                       | \$7.64     | \$55.00 |
| 80025                                    | RN45  | 1-3/4" | -     | - | 45              | 7.2   | 40                       | \$8.19     | \$59.00 |
| 80040                                    | RN19R | 3/4"   | R     | - | 21              | 7.2   | 64                       | \$10.28    | \$74.00 |
| 80041                                    | RN22R | 7/8"   | R     | - | 23              | 7.2   | 64                       | \$10.56    | \$76.00 |
| 80042                                    | RN25R | 1"     | R     | - | 26              | 7.2   | 56                       | \$11.11    | \$80.00 |
| 80043                                    | RN32R | 1-1/4" | R     | - | 33              | 7.2   | 48                       | \$11.67    | \$84.00 |
| 80044                                    | RN38R | 1-1/2" | R     | - | 38              | 7.2   | 40                       | \$12.78    | \$92.00 |
| 80045                                    | RN45R | 1-3/4" | R     | - | 45              | 7.2   | 40                       | \$13.33    | \$96.00 |

### Single Nail Actual Size



R = RING ; S = SCREW ; G = ELECTRO-GALV ; C = CHISEL  
H = HARDENED ; MG = MECHANICAL GALV. ; HL = HI-LOAD

**\*\*Stainless steel available on special order. Please call for quote and availability\*\***